

( ) ,

INTERSTATE COUNCIL FOR STANDARDIZATION, METROLOGY AND CERTIFICATION  
(ISC,

**IEC 61340-4-1—  
2017**

**(IEC 61340-4-1:2015, Electrostatics — Part 4-1: Standard test methods for specific applications — Electrical resistance of floor coverings and installed floors, IDT)**



2018

IEC 61340-4-1—2017

1.0—2015 «  
 1.2—2015 «  
 1 «  
 2 «  
 3 «  
 ( 30 2017 . No 52)

( 3166) 004-97	( 3166) 004-97	
	AM BY KG RU UZ UA	

4 26  
 2016 . No 431- IEC 61340-4-1—2017  
 1 2018 .  
 5 IEC 61340-4-1:2015 «  
 4-1.  
 » («Electrostatics — Part 4-1: Standard test methods for  
 specific applications — Electrical resistance of floor coverings and installed floors», IDT).  
 IEC/TC 101  
 «Electrostatics».

1.5 ( 3.6).  
 6

«  
 «  
 «  
 «

(www.gost.ru)

© . 2018

IEC 61340-4.1—2017

1	.....	1
2	.....	1
3	.....	1
4	.....	2
5	.....	2
6	.....	5
7	.....	5
8	.....	5
9	.....	5
10	.....	7
11	.....	7
( )	.....	8

$\sqrt{A^V}$

**Electrostatics. Part 4-1. Test methods for specific applications.  
Electrical resistance of floor coverings and installed floors**

—2018—08—01

1

2

8

( )]:  
ISO 1957:2000, Machine-made textile floor coverings — Selection and cutting of specimens for physical tests ( )

3

8

3.1 (acceptance testing):

3.2 (geometric mean):

3.3 (groundable point):

3.4 (insulating material):

10

IEC 61540-4-1—2017

3.5 (laboratory evaluations): , -

3.6 (resistance to ground): , -

3.7 (point-to-point resistance): , -

3.6 (vertical resistance): , -

4 -

5 -

5.1 ( ) -

±10 %,

5.1.1 :

- (10 ± 0.5) —  $1 \cdot 10^6$  ;  
 • (100 ± 5) —  $1 \cdot 10^8$  ;  $1 \cdot 10^{11}$  ;  
 > (500 ± 25) 8 —  $1 \cdot 10^{12}$  .

5.1.2 -

«(10 ± 0.5) —  $1 \cdot 10^6$  ;  
 - (100 ± 5) —  $1 \cdot 10^8$  ;  $1 \cdot 10^{11}$  ;  
 - (500 ± 25) 8 —  $1 \cdot 10^{12}$  .

5.2 ( ) -

1.

(65 ± 5)

(60 ± 10)

( . 5.3).

1000

a) (2.5 ± 0,25) — ;

b) (5.0 ± 0,25) — ;

10<sup>14</sup>

( . 1).

5.3

(600110) 1 ( ) \*

5.4

( . 6) \*

1 \* 10<sup>14</sup>

( . 6).

5.5

(640110) (5 ± 1) \*

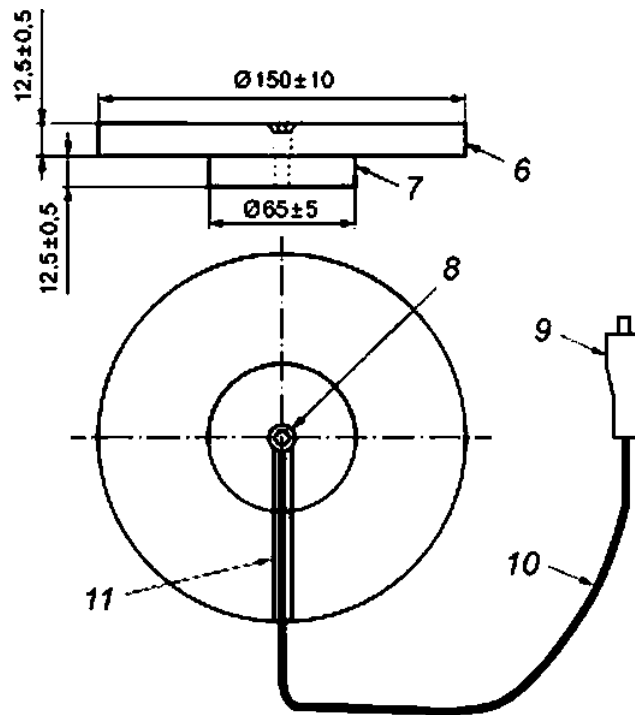
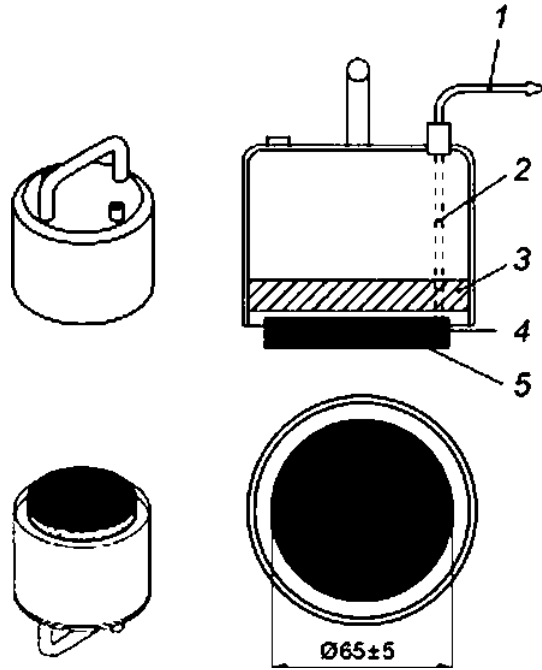
1 \* 10<sup>14</sup>

(1300 ± 10) \* (600 1 10) \*

(5 ± 1)

1 '4

IEC 61340-4-1—2017



: (2.5±0,25) (5.0 ± 0,25) .

1 — ; 2 — ;  
 3 — ; 4 — ; 5 — ;  
 : 9 — ; 10 — ; 6.2. ) ; 7 — ;  
 1 —



6

ISO 1957

ISO 1957.

(500 1 50)

{1200 ± 50} \* (500 ± 50)

( . 5.4)

(1000 150) ( . 9.4).

7

8

(12 ± 3) %.

(23 ± 2) "

46

(65 ± 3) %.

24

(20 ± 2) \*

9

9.1

2 95 %).

5

IEC 61340-4-1—2017

9.2	(5.5).	(300 ± 10)	(5.2)
100	10	(15 ± 2)	(5.1).
a)	10 8	1.0 * 10 <sup>8</sup>	100
b)	100	1.0 * 10 <sup>11</sup>	500
	5.1.	1.0 * 10 <sup>11</sup>	500
	100		
9.3	(5.3)	(5.5).	
(5.2)	100		
(5.2).	10	10*	(15 1 2)
a)	10 8	1.0 * 10 <sup>8</sup>	100
b)	100	1.0 * 10 <sup>11</sup>	500
	5.1.	1.0 * 10 <sup>11</sup>	500
100			
9.4	(5.5).	(5.2)	
100			

(5.1).	10				(15 ± 2)
500	100		1.0 * 10 <sup>11</sup>	10	
		5.1,			
a)	10	1.0 * 10		100	1.0 * 10
b)	100	1.0 * 10 <sup>11</sup>		500	1.0 * 10 <sup>11</sup>
		(1000 ± 50)			
	100				
(1000 ± 50)					
	100 <sup>2</sup>				
10					
11					
a)					
b)					
c)					
d)					
e)					
0					
)					
h)					
i)					
j)					
k)					
l)					
)					

IEC 61340-4-1—2017

( )

.1

ISO 1957:2000	—	•
*		

677.076:006.354

17.220.99  
59.080.60

IDT

2—2018/33

27.07.2018.

31.07.2018.

60\*84'/^.

. . . 1.40. . . 1.26.

« . 123001 » .. 4.  
www.gostinfo.ru info@gostinfo.ru