



ТРАНЗИСТОРЫ БИПОЛЯРНЫЕ

**Метод измерения коэффициентов
комбинационных составляющих**

ГОСТ 18604.23—80

Издание официальное

ГОСУДАРСТВЕННЫЙ КОМИТЕТ СССР ПО СТАНДАРТАМ

Москва

621.382.33.001.4:006.354

32f



Bipolar transistors
Method for measuring combination frequencies

18604.23-80

622 100

26

1980 . 1382

01.01.82

01.01JF

1

*

(

—

).

18604 0—83

1.

1.1.

i

1 2
£

1

,

1985

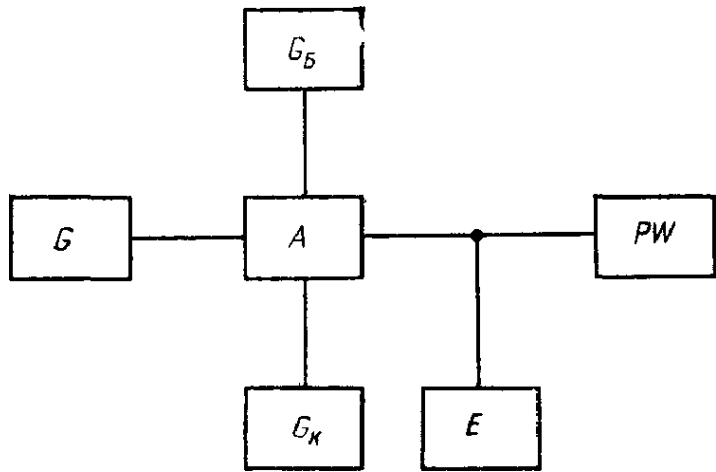
(

1.3.).

1.4. *LJ*

2.

2.1.



G^{\wedge} — ; G^{\wedge} —
 ; — ; PW —

2.2.

20 %

1

$K_{ур_{mi}}$

2.3.

$\pm 0,5$

| | | | | | | | | | |
|-------|------|---|--|----|--|-------|---|---|---|
| 2.4. | | | | | | | | | - |
| | | | | 6 | | | | | - |
| 2.5. | | | | | | | | | |
| 2.6. | 10 | . | | | | | | | |
| | | | | | | | | | - |
| 2.7. | | | | | | | | | - |
| | | | | | | | | | - |
| 2.8. | | | | | | | | | - |
| | | | | | | | | | - |
| 2.9. | | | | 2. | | | | | - |
| | | | | | | | | | - |
| 2.10. | | | | | | | | | - |
| 2.11. | G, G | | | | | | | | - |
| | | | | | | | | | - |
| | | | | ±2 | | | | | - |
| | | | | | | | | | - |
| | | | | 3. | | | | | - |
| 3.1. | | | | | | | | | - |
| 3.2. | | | | | | | | | - |
| 3.3. | | | | | | G | , | | - |
| | | | | | | | | | - |
| | U | | | | | | | — | - |
| 3.4. | | | | | | | | | - |
| | | | | | | | | | , |
| | | | | | | 15—20 | % | | - |
| | | | | | | | | | - |

3.5.

U

3.6.

G

3.7.

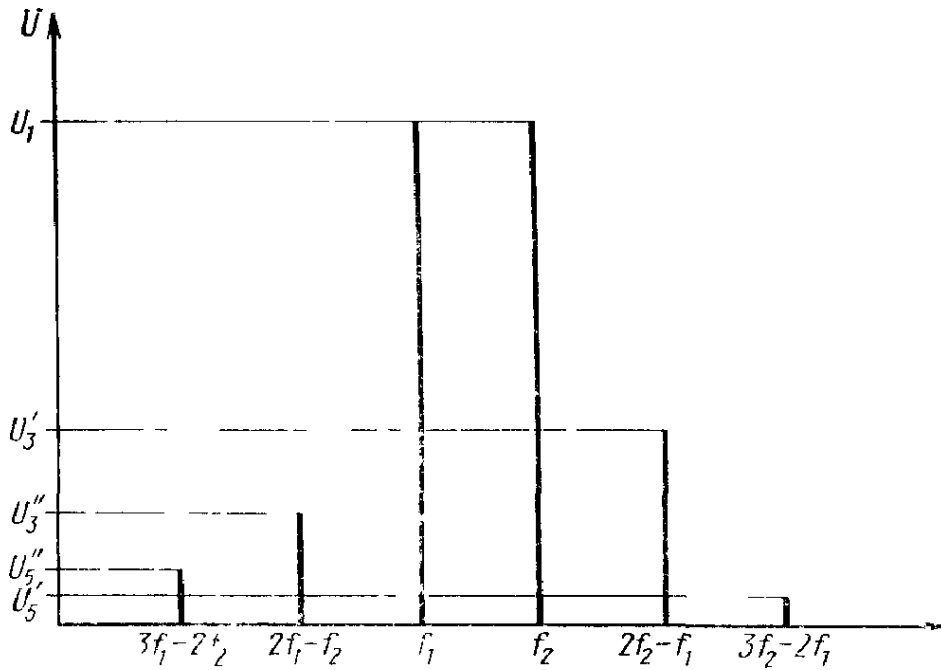
3.8.

3.9.

3.10.

3.11.

()



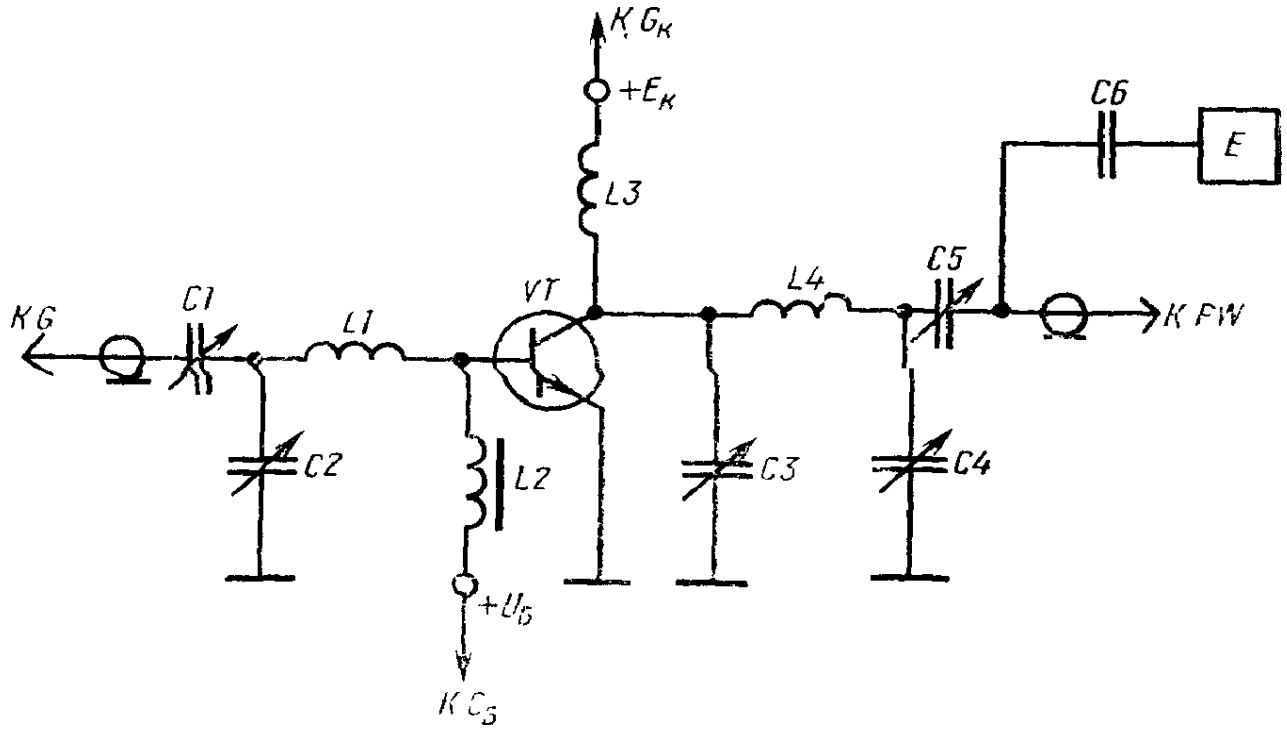
U_5 - 5 - ; U_3' - V^* - - ;

$$1_3 = 20 \lg \hat{y}^{\wedge} ,$$

$$4 = 20 \lg \hat{U}_5$$

1. -

€ °



$C_1, 2, 4, 5, 6$ — , L_2 — , L_4 —

$C_1, 2, L_1$

, $4, L_4, 5$

L_3

L_2

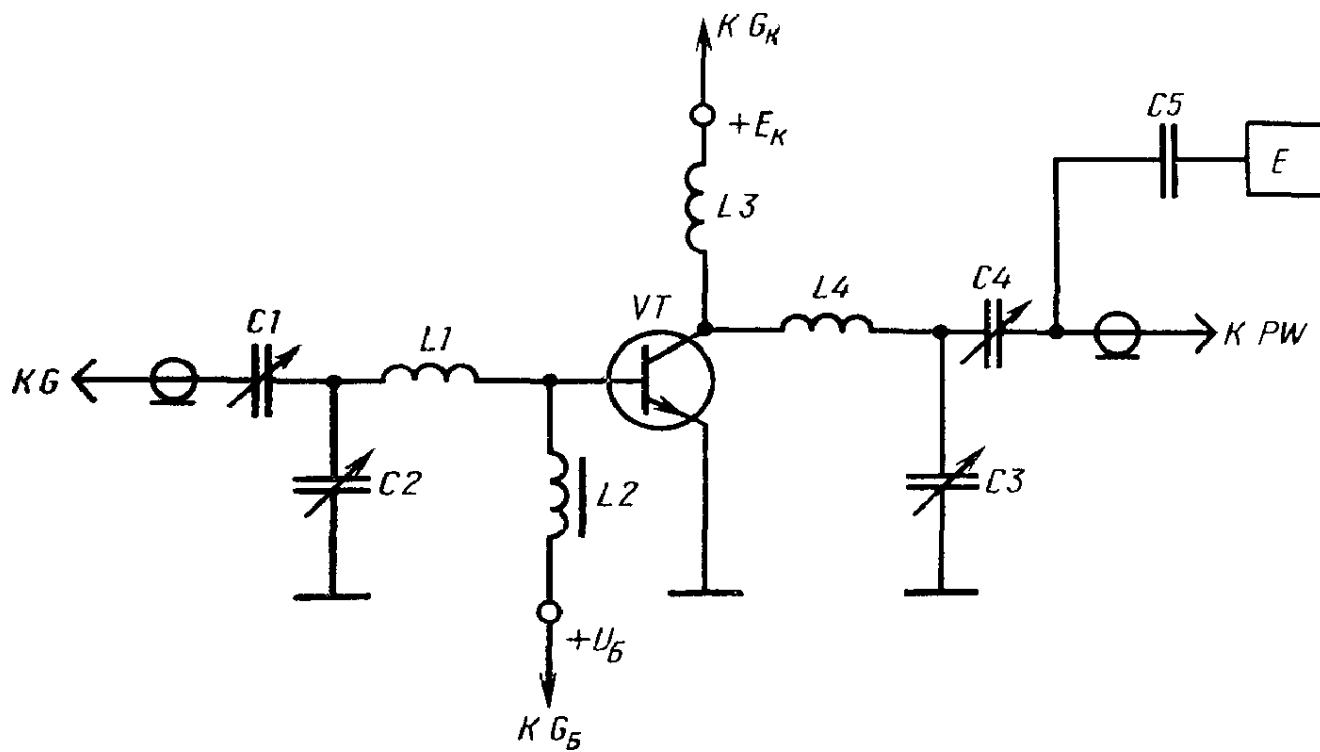
*

6

G.

?

2. -



.2

.1.