



**60952-2-  
2017**

2

(IEC 60952-2:2013, )



2017

60952-2—2017

1 « » ( « ») «

2 044 « »

3 8 31 2017 . N9 1554-

4 60952-2:2013 « -  
 2. » (IEC 60952-2:2013 «Aircraft batteries —  
 Part 2: Design and construction requirements». IDT). —

5 952-2—93

6 ( )

29 2015 . 162- « 26  
 ) « ( 1  
 — « », —  
 ( ) « ».  
 ». —

(www.gost.ru)

© . 2017

|                |       |    |
|----------------|-------|----|
| 1              | ..... | 1  |
| 2              | ..... | 1  |
| 3              | ..... | 1  |
| 4              | ..... | 1  |
| 4.1            | ..... | 1  |
| 4.2            | ..... | 2  |
| 4.3            | ..... | 2  |
| 4.4            | ..... | 2  |
| 4.5            | ..... | 3  |
| 4.6            | ..... | 4  |
| 4.7            | ..... | 4  |
| 4.8            | ..... | 4  |
| 4.9            | ..... | 5  |
| 5              | ..... | 5  |
| 5.1            | ..... | 5  |
| 5.2            | ..... | 5  |
| 5.3            | ..... | 6  |
| 5.4            | ..... | 6  |
| 6              | ..... | 6  |
| 7              | ..... | 6  |
| 8              | ..... | 6  |
| 8.1            | ..... | 6  |
| 8.2            | ..... | 6  |
| 8.3            | ..... | 6  |
| 8.4            | ..... | 6  |
| 9              | ..... | 7  |
| 9.1            | ..... | 7  |
| 9.2            | ..... | 7  |
| 9.2.1          | ..... | 7  |
| 9.2.2          | ..... | 7  |
| 10             | ..... | 7  |
| 10.1           | ..... | 7  |
| 10.2           | ..... | 7  |
| 11             | ..... | 8  |
| 12             | ..... | 8  |
| 13             | ..... | 8  |
| 14             | ..... | 8  |
| 15             | ..... | 9  |
| 15.1           | ..... | 9  |
| 15.2           | ..... | 9  |
| 15.3           | ..... | 9  |
| 15.3.1         | ..... | 9  |
| 15.3.2         | ..... | 9  |
| 15.3.3         | ..... | 9  |
| 16             | ..... | 9  |
| 17             | ..... | 10 |
| 18             | ..... | 10 |
| 19             | ..... | 10 |
| 20             | ..... | 10 |
| 21             | ..... | 10 |
| (            ) | ..... | 11 |
| 8(           ) | ..... | 24 |
| (            ) | ..... | 31 |

8

2

Aircraft batteries. Part 2. Design and construction requirements

—2018—10—01

1

3 60952-1:2013.

SAE ).

2

8

IEC 60952-1:2013 Aircraft batteries — Part 1: Design and construction requirements ( 1. )

3

8

60952-1:2013.

4

4.1

60952-1.

1

60952-2—2017

’ ( ).

4.2

’ /

4.3

’

4.4

a) — /

b) ( ), — ( )

c) —

d) — / ;

e) — 50

4.5

(EASA). (FAA)  
 (STC) ( )  
 FAA  
 ( )

: FAA. — ( ):  
 14 . I, I, I-59

23 — 23-1301 . 23-1309  
 23-1353 , 23.1309-1 ;

\*

60952-2—2017

25 : — 25-1301  
 . 25-1309 , 25-1353 ,  
 25.1309-IA;  
 27 : — 27-1301  
 , 27-1309 , 27-1353 ,  
 27-tA:  
 29 : — 29-1301 -  
 . 29-1309 , 29-1353 -  
 . 29-2 ;  
 21 : 21.303  
 21.143 — .

4.6

14

(CFR) 21.611.

( ):

- a)
- b)
- c)
- d)
- e)
- f)

- g) ( ),
- h)
- i)

4.7

- a)

- b)

- c)

4.8

- a)

- b)

- c)

- d)

- e)

4.9

1.

1—

|    |  |   |
|----|--|---|
|    |  | 1 |
| 1  |  |   |
| 2  |  |   |
|    |  |   |
| 4  |  |   |
| 5  |  |   |
| 6  |  |   |
| 7  |  |   |
| 6  |  |   |
| 9  |  |   |
| 10 |  |   |
| 11 |  |   |

5

5.1

a)

b)

5.2

60952-1.



60952-2—2017

5.3

5.4

60952-1.

6

7

8

8.1

8.2

8

8.3

22

8.4

9

9.1

60952-1.

a)

b)

60952-1:2013 { 6.5).

9.2

9.2.1

9.2.2

10

10.1

10.2.

a)

b)

c)

10.2

60952-2—2017

11

1.5

12

13

14

15

15.1

{ . )

15.2

15.3

15.3.1

- a) ;
- b) ;
- c) , ;
- d) ;
- e) ;
- 0 ; ( , - - );
- ) ;
- i) , ( - ) , ;
- j) ( - ) , ;
- k) , ;
- l) — , , .

15.3.2

- a) ;
- b) ;
- c) ;
- d) .

15.3.3

(«+»)

16

60952-1.

- a) ;
- b) ;
- c) ;

60952-2—2017

d)

e)

f)

)

h)

{2312} \*  
« ».

17

49 \* 2

60952-1.

18

60952-1.

19

30 \*

70®

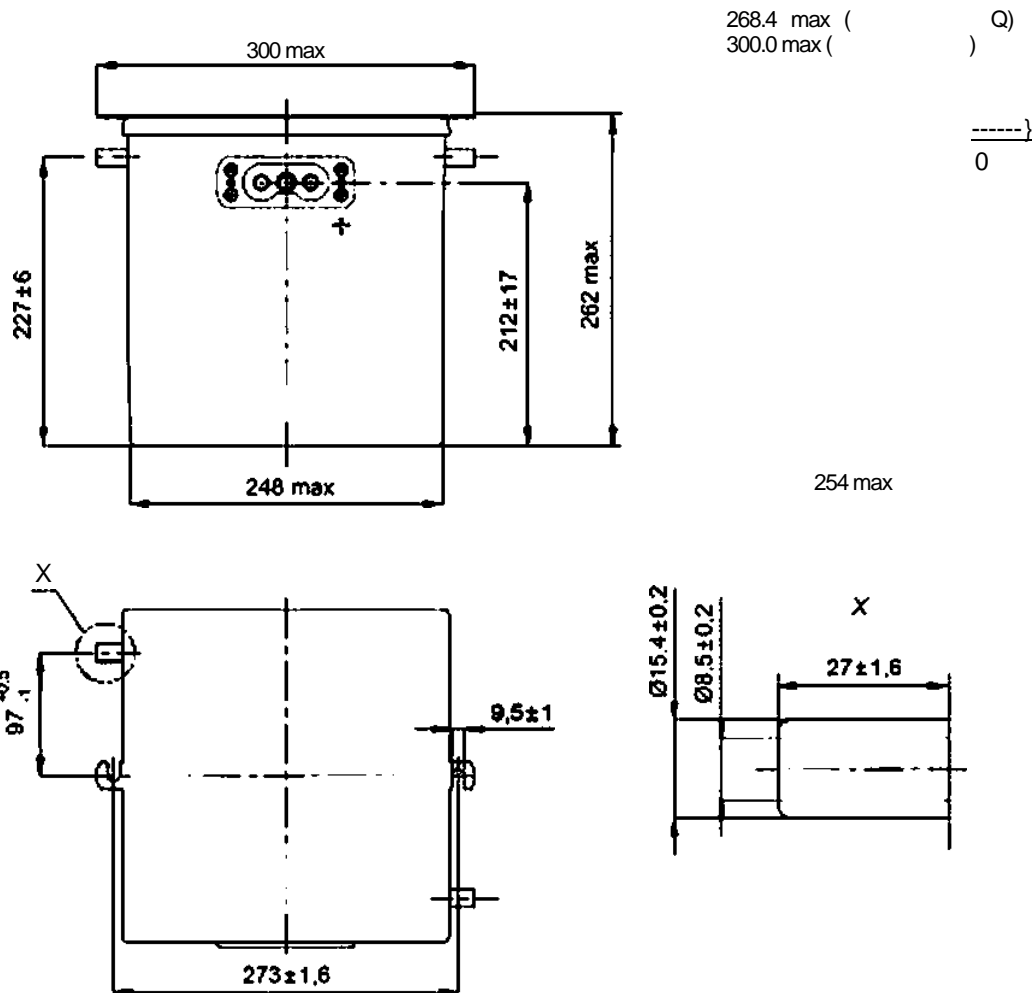
50®

20

21

(MSDS)

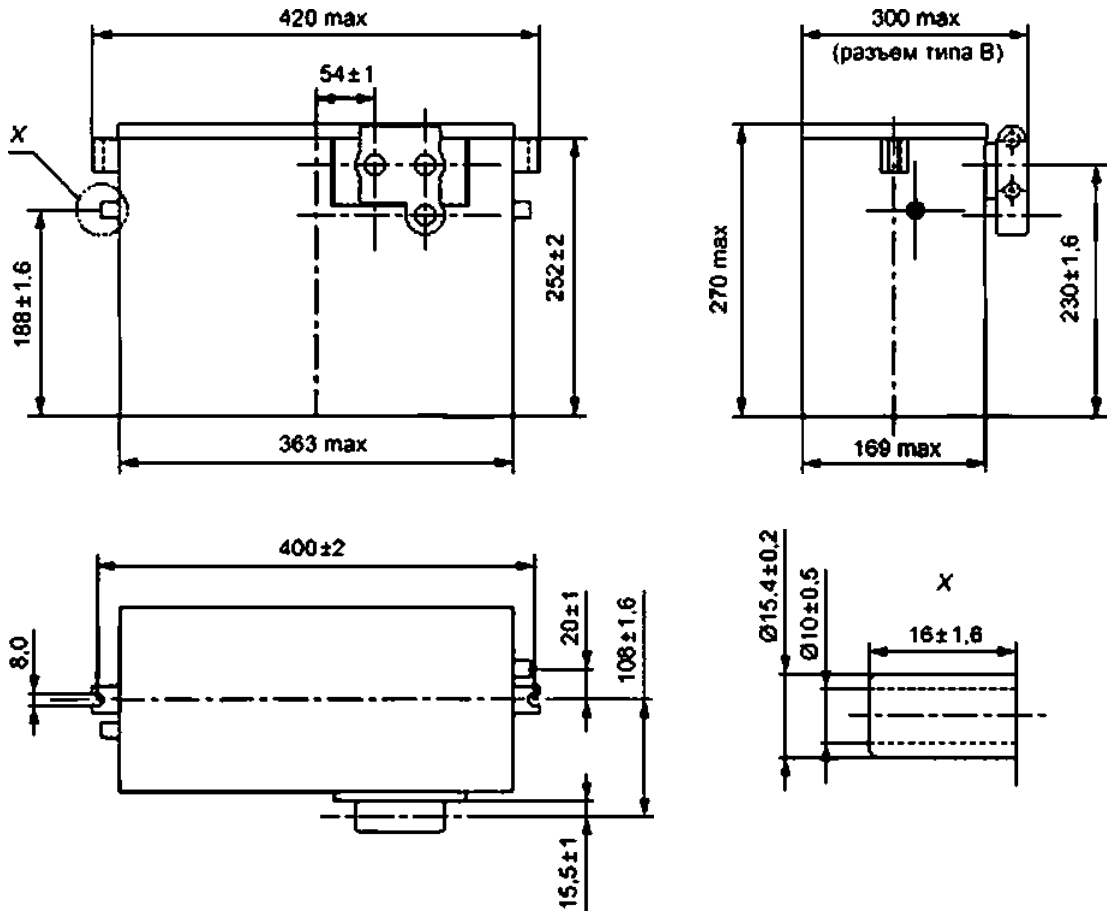
( )



1294/04

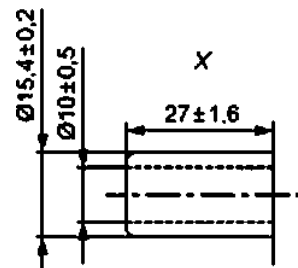
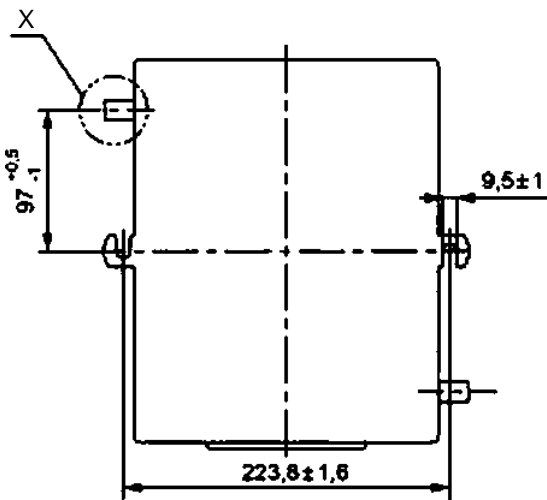
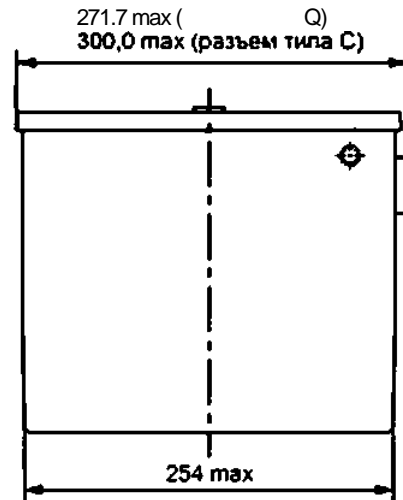
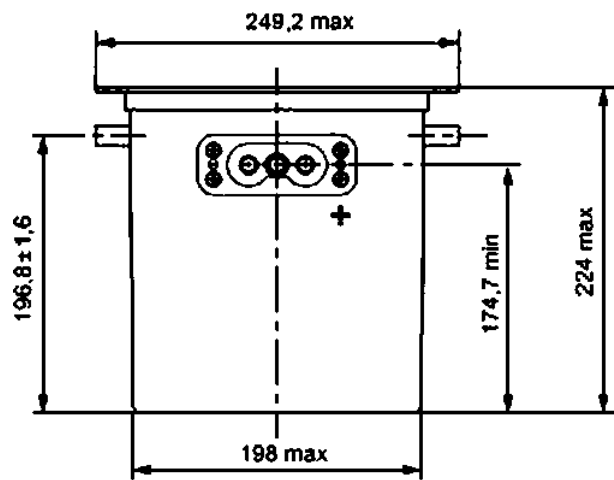
|         |   |              |     |
|---------|---|--------------|-----|
| ( 3.3)] | ( | 60952-1:2013 | 34  |
|         |   | 19/20        | - ; |
|         |   | 12           | -   |
|         |   | 24           |     |
|         |   | 40           |     |
|         |   | 9.1.         | -   |

60952-2—2017



1295/04

|        |   |              |             |
|--------|---|--------------|-------------|
| ( 3.3) | [ | 60952-1:2013 | 34          |
|        |   |              | 19/20<br>12 |
|        |   |              | 24          |
|        |   |              | 40          |
|        |   |              | 9.1.        |

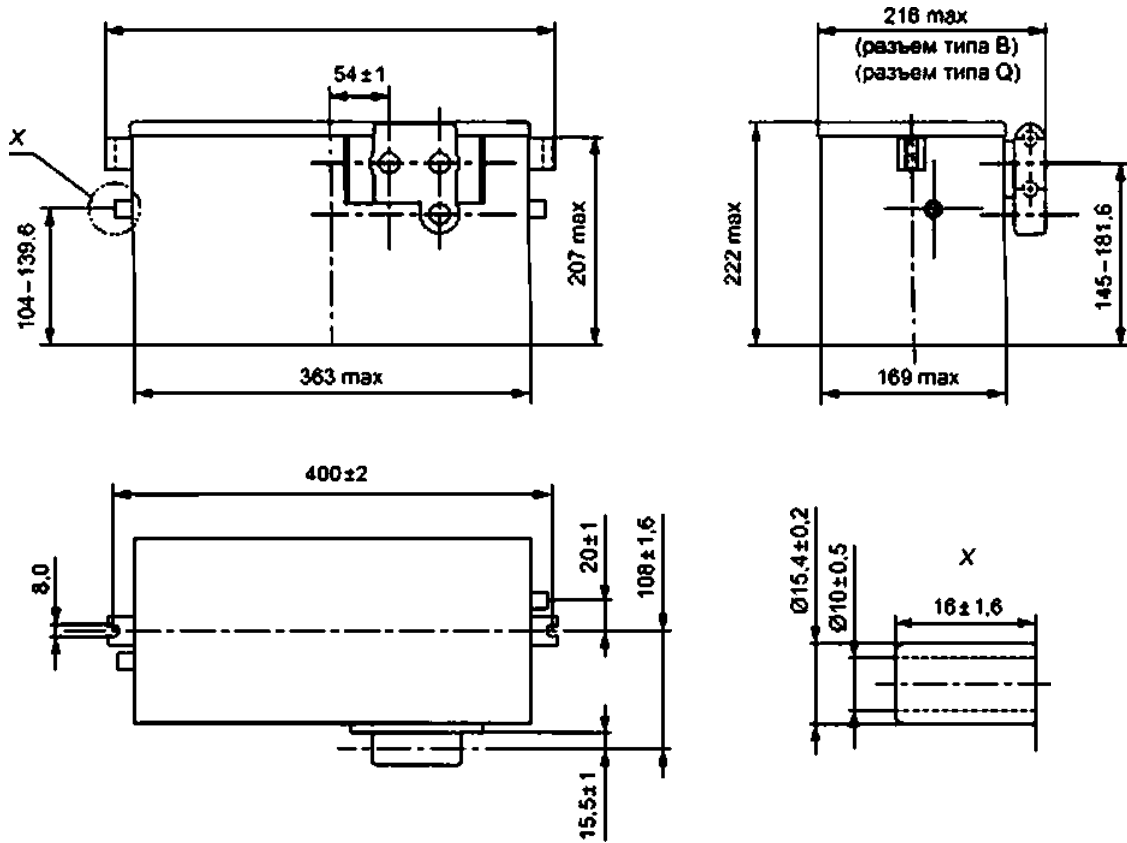


1296/04

|         |     |              |             |
|---------|-----|--------------|-------------|
| ( 3.3)] | , ( | 60952-1:2013 | 22          |
|         |     |              | 19(20<br>12 |
|         |     |              | 24          |
|         |     |              | 27.5        |
|         |     |              | 9.1.        |



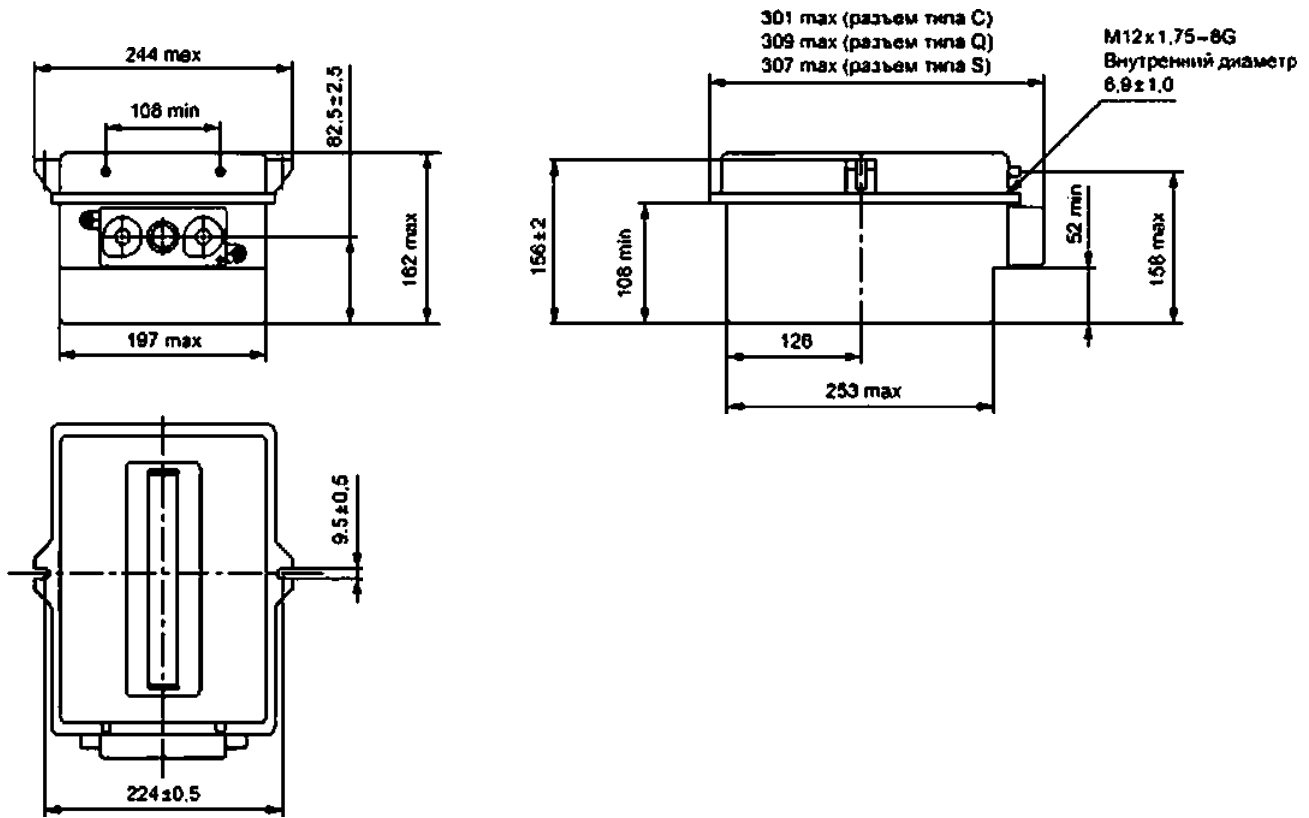
60952-2—2017



1297/04

|        |   |              |             |
|--------|---|--------------|-------------|
| ( 3.3) | [ | 60952-1:2013 | 22          |
|        |   |              | 19/20<br>12 |
|        |   |              | 24          |
|        |   |              | 29          |
|        |   |              | 9.1.        |

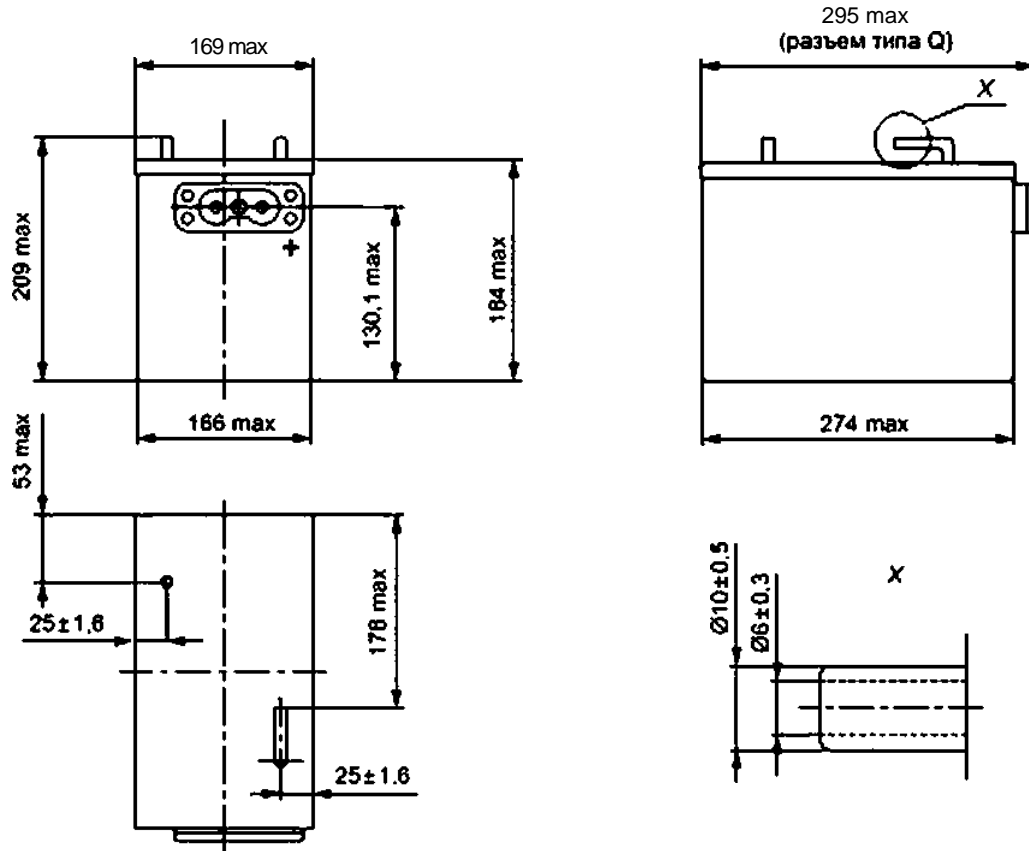
4— D



1298 4

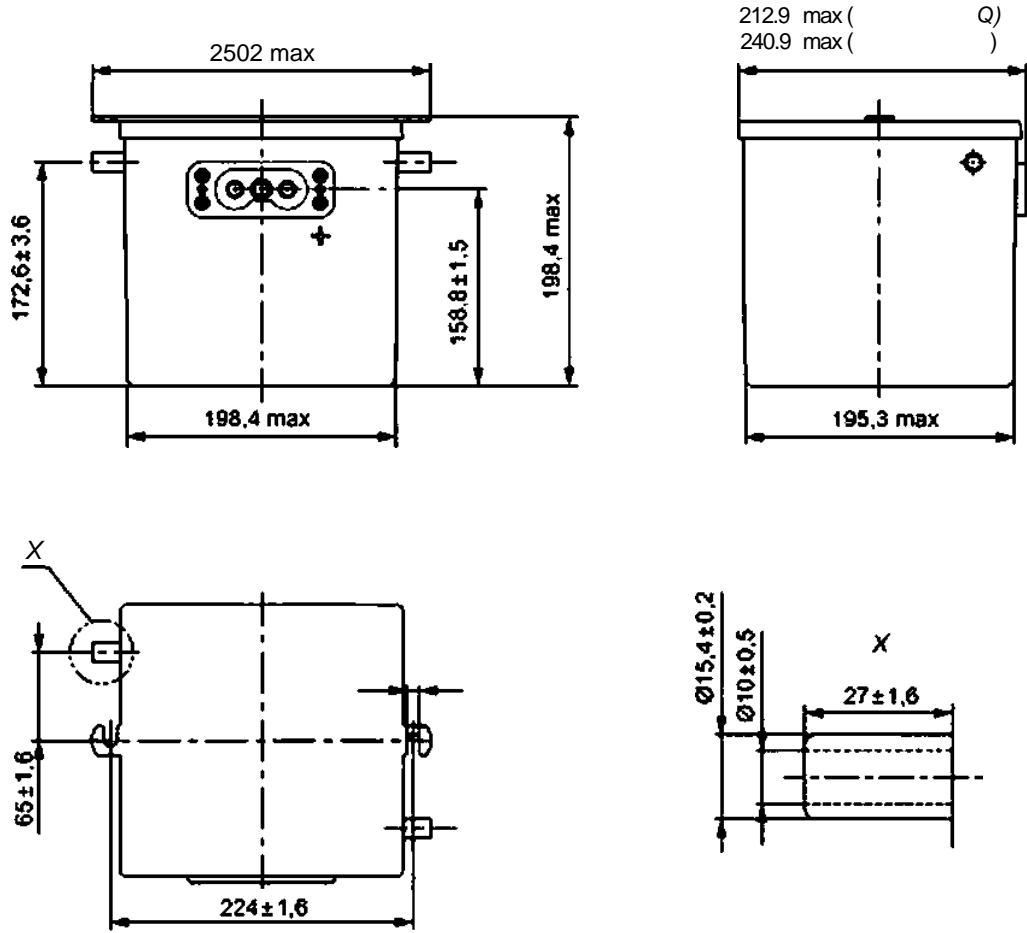
|         |   |              |                     |
|---------|---|--------------|---------------------|
| ( 3.3)] | { | 60952-1.2013 | 18                  |
|         |   |              | 19/20 - ;<br>12 - ; |
|         |   |              | 24                  |
|         |   |              | 19                  |
|         |   |              | 9.1. -              |

60952-2—2017



1299/04

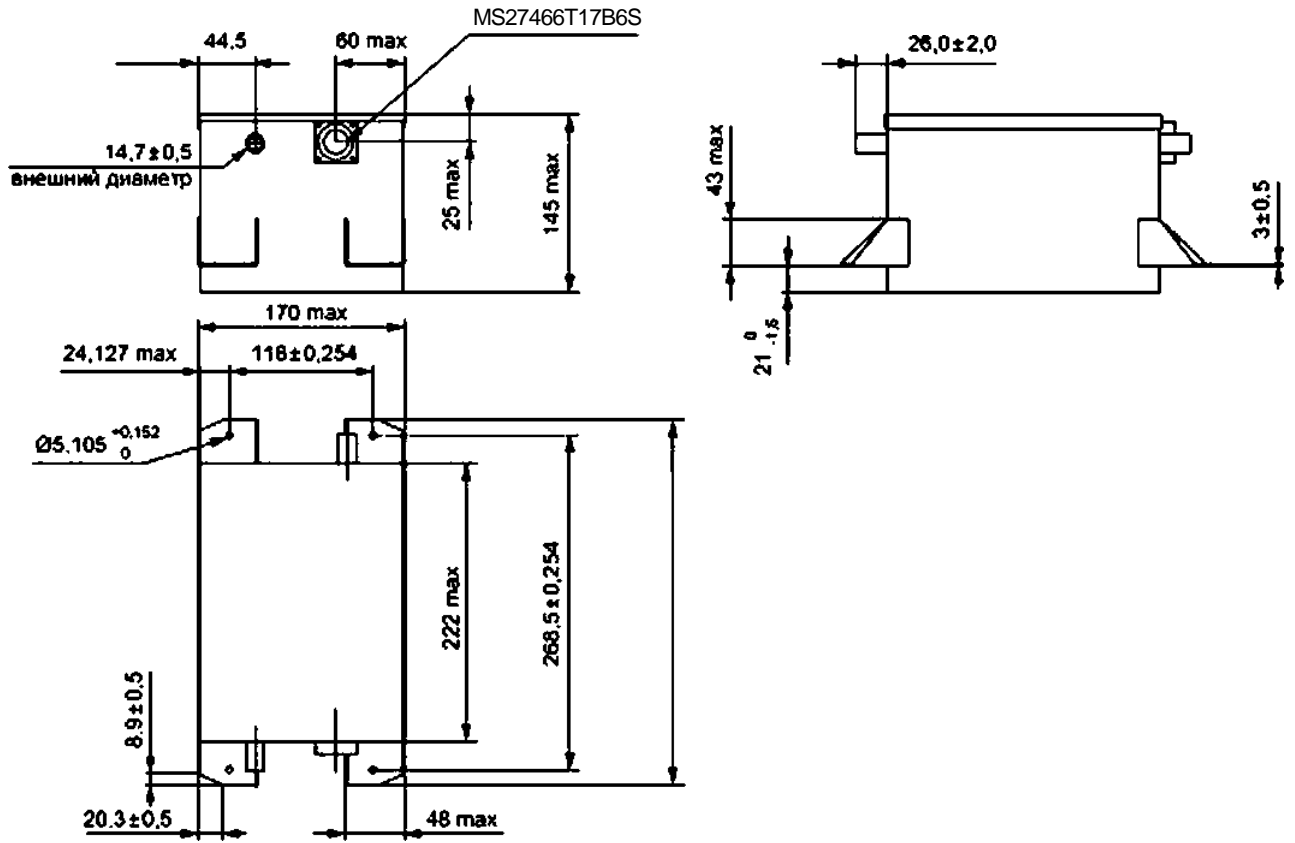
|        |     |              |        |
|--------|-----|--------------|--------|
| ( 3.3) | , [ | 60952-1:2013 | 14     |
|        |     | 19/20        | - :    |
|        |     | 12           | - :    |
|        |     | 24           |        |
|        |     | 19           |        |
|        |     |              | 9.1. - |



1300/04

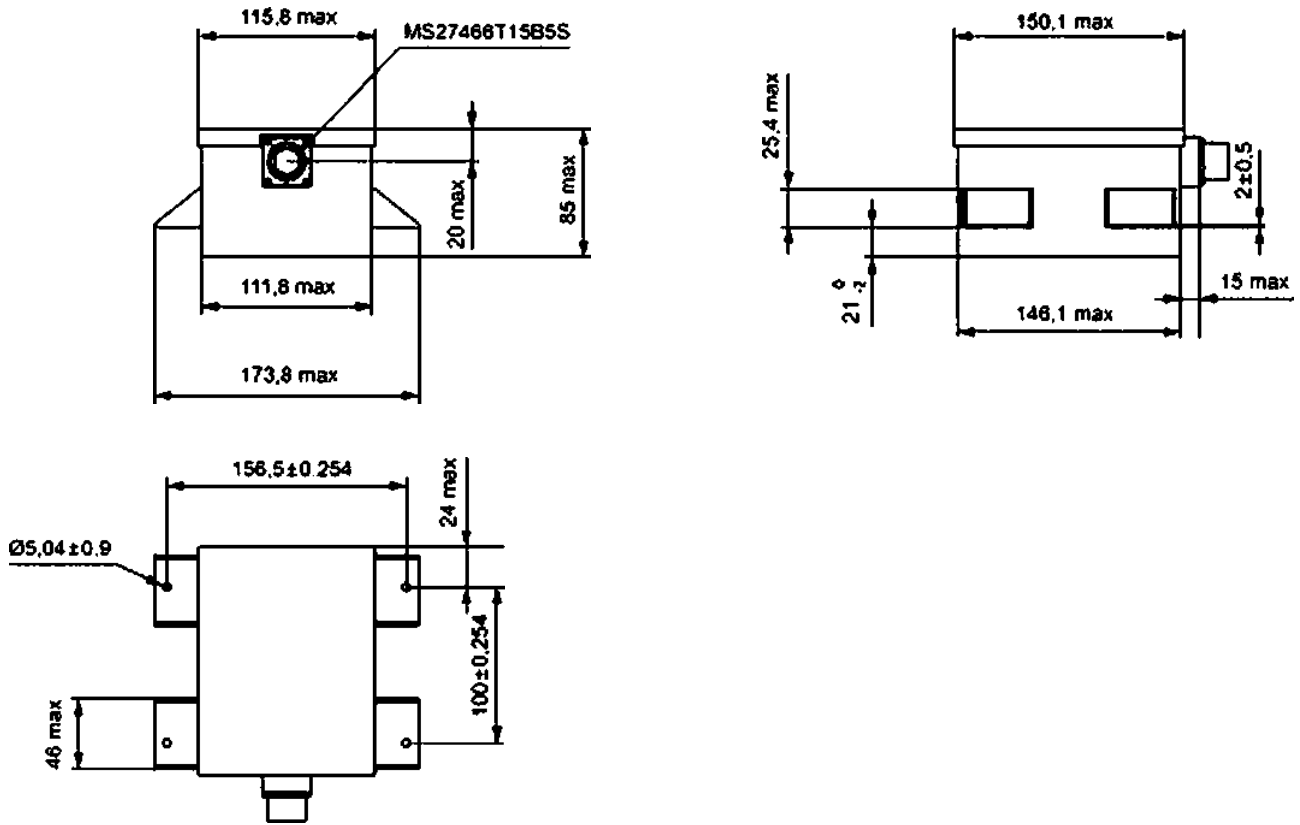
|        |     |             |           |
|--------|-----|-------------|-----------|
| ( 3.3] | , [ | 60952-12013 | 11        |
|        |     |             | 19/20 - : |
|        |     |             | 12 - :    |
|        |     |             | 24        |
|        |     |             | 16        |
|        |     |             | 9.1. -    |

60952-2—2017



1301/04

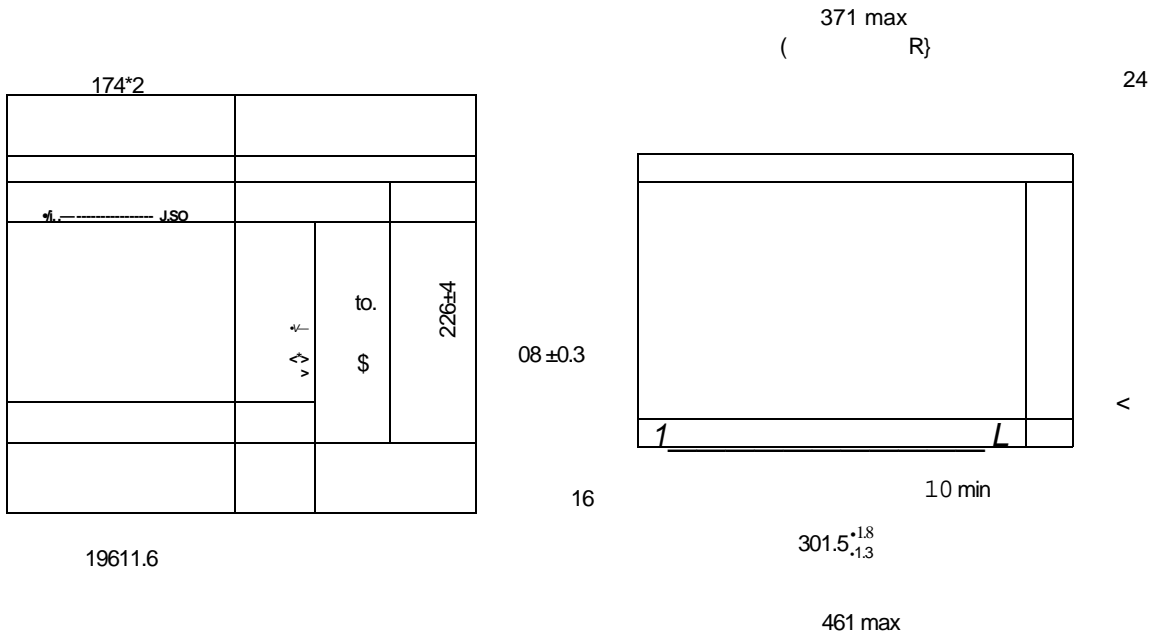
|        |     |              |           |
|--------|-----|--------------|-----------|
| ( 3.3) | , [ | 60952-1:2013 | 7.5       |
|        |     |              | 19/20 - : |
|        |     |              | 12 - :    |
|        |     |              | 24        |
|        |     |              | 11.8      |
|        |     |              | 9.1. -    |



1302/04

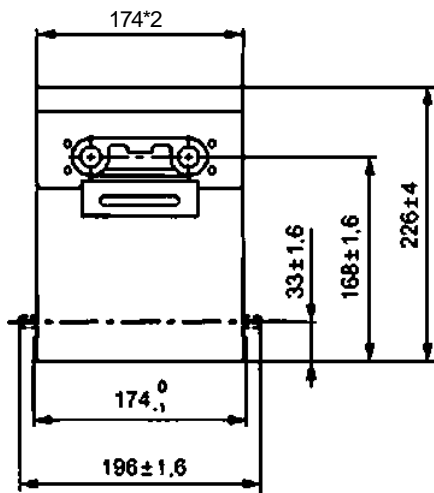
|         |     |              |                     |
|---------|-----|--------------|---------------------|
| ( 3.3)] | , [ | 60952-1:2013 | 1.5                 |
|         |     |              | 19/20 - :<br>12 - : |
|         |     |              | 24                  |
|         |     |              | 2.9                 |

60952-2—2017



|        |     |              |           |
|--------|-----|--------------|-----------|
| ( 3.3] | , ( | 60952-1:2013 | 25        |
|        |     |              | 19/20 - : |
|        |     |              | 12 - :    |
|        |     |              | 24        |
|        |     |              | 24.5      |

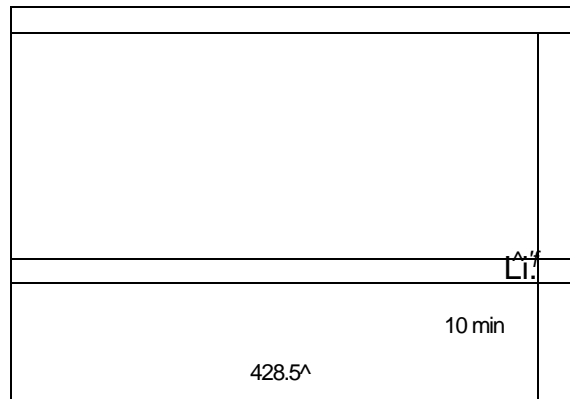
.10— J



371 max  
{ R)

24

$8 \pm 0.3$



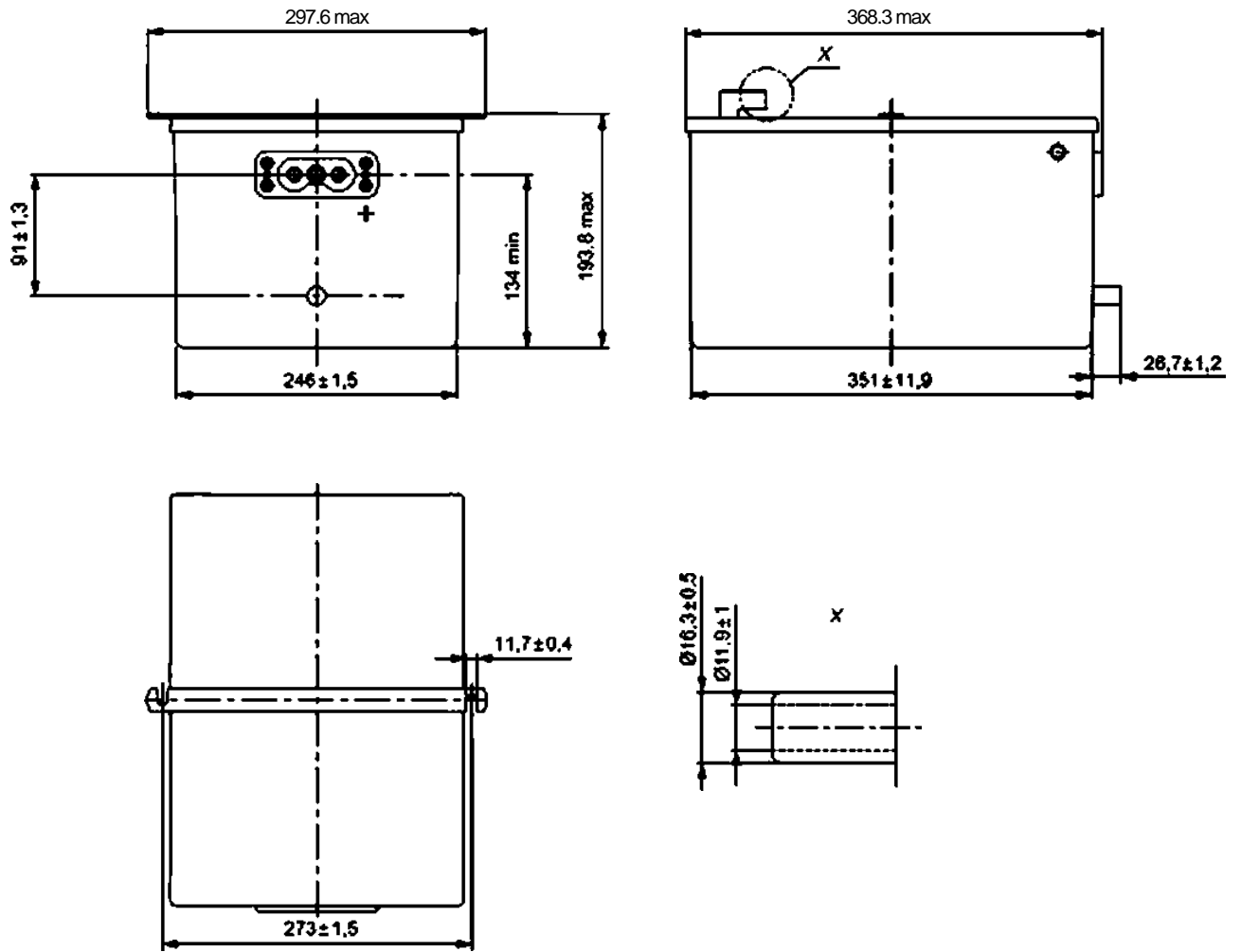
461 max

1304/04

|             |              |        |
|-------------|--------------|--------|
| ( 3.3]] , ( | 60952-1:2013 | 37     |
|             | 19/20 - :    | 12 - : |
|             | 24           |        |
|             | 34.5         |        |



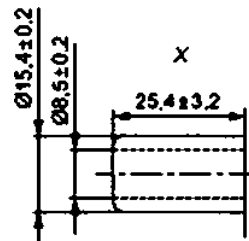
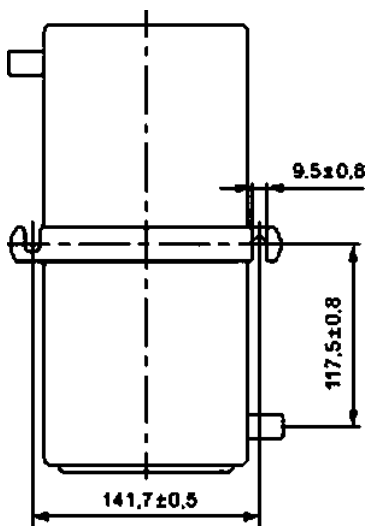
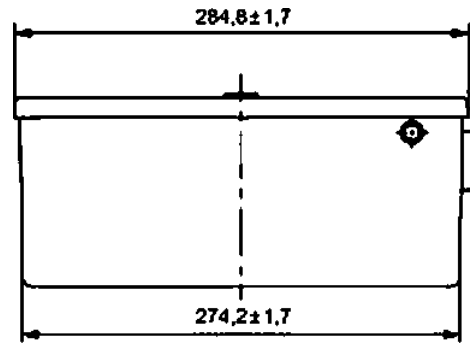
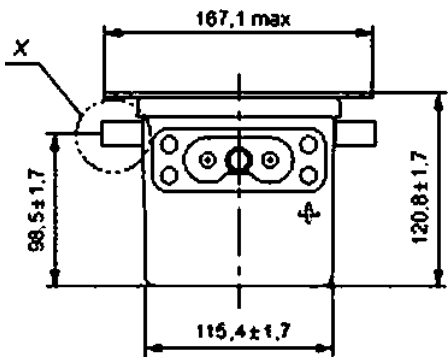
60952-2—2017



1305 4

|        |     |              |           |
|--------|-----|--------------|-----------|
| ( 3.3) | , [ | 60952-1:2013 | 35        |
|        |     |              | 19/20 - : |
|        |     |              | 12 - :    |
|        |     |              | 24        |
|        |     |              | 36.8      |
|        |     |              | 9.1. -    |

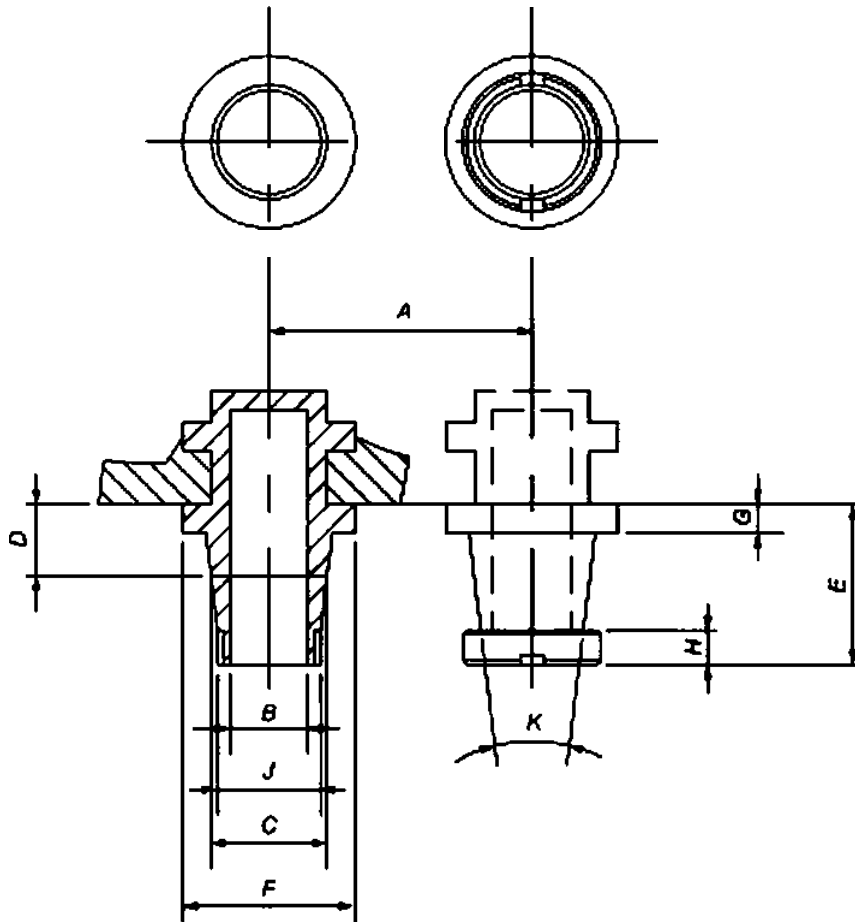
.12— L



1306/04

|         |     |              |             |
|---------|-----|--------------|-------------|
| ( 3.3)] | , ( | 60952-1:2013 | 5.5         |
|         |     |              | 19/20<br>12 |
|         |     |              | 24          |
|         |     |              | 8           |
|         |     |              | 9.1.        |



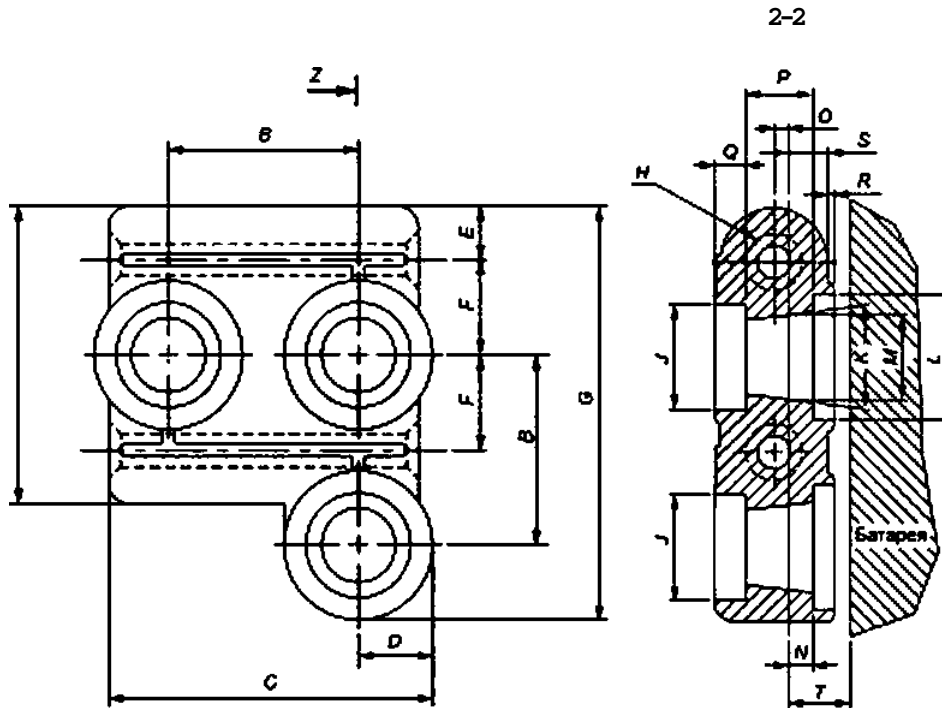


1307/04

|          |                           |                          |
|----------|---------------------------|--------------------------|
|          | (46 ±0.1)                 | 1.811 10.004             |
|          | 0 13.75 <sup>±0.027</sup> | 0 .541 <sup>±0.001</sup> |
|          | 0 20.28                   | 00.798                   |
| <i>D</i> | (12.511)                  | (0.492 1 0.04)"          |
|          | (28.11)                   | (1,102 1 0.04)"          |
| <i>F</i> | 30                        | 1.181"                   |
| <i>G</i> | 5                         | 0,197"                   |
|          | 6                         | 0.237"                   |
| <i>J</i> | 18 » 1.0                  |                          |
|          | 14*±10'                   | 14" 110'                 |

.1—

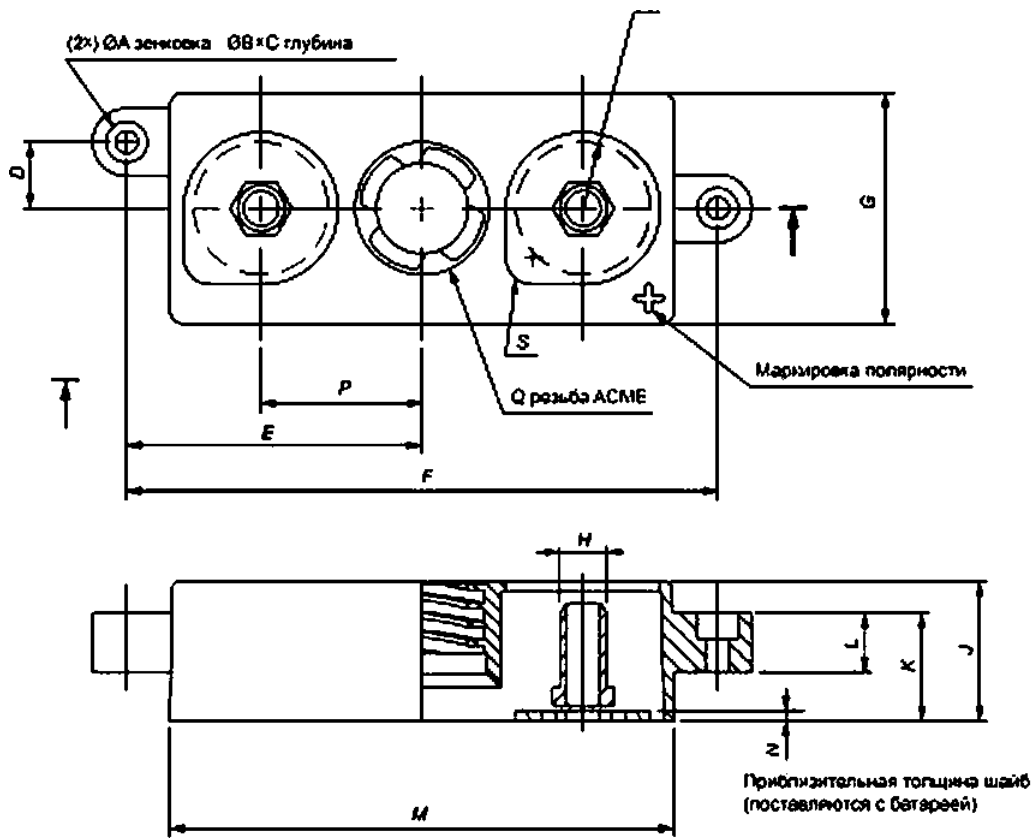
60952-2—2017



1208/04

|          |                          |                       |
|----------|--------------------------|-----------------------|
|          | 72                       | 2.835"                |
|          | {46 ± 0.1}               | (1.811 ± 0.003)"      |
|          | 82                       | 3.215"                |
| <i>D</i> | 18                       | 0.708"                |
| <i>E</i> | 13                       | 0.51                  |
| <i>F</i> | <23 ± 0.1)               | {0.905 ± 0.003}"      |
|          | 100                      | 3.937"                |
|          | 0 13.75 <sup>+0.27</sup> | 0 .54 <sup>+0.1</sup> |
| <i>J</i> | 0 <24.5 ± 0.5)           | 0 (0.964 ± 0.019)"    |
|          | 14*                      | 14*                   |
| <i>L</i> | 0 {30.5 ± 0.5)           | 0(1,201 ± 0,019)"     |
|          | 20.28                    | 0.798"                |
| <i>N</i> | 6 <sup>+0.5</sup>        | (0.236 ± 0.006)"      |
|          | <sup>+0.27</sup>         | 0.118-0.125?"         |
|          | 16 <sup>-0.2</sup>       | {0.629 ± 0.007}"      |
|          | (8 ± 0.5)                | (0.315 ± 0.019)"      |
| <i>R</i> | (1 ± 0.2)                | {0.394 ± 0.008}"      |
| <i>S</i> | <10 ± 0.5)               | (0.393 ± 0.019)"      |
|          | (15.5 ± 1.5)             | (0.610 ± 0.059)"      |

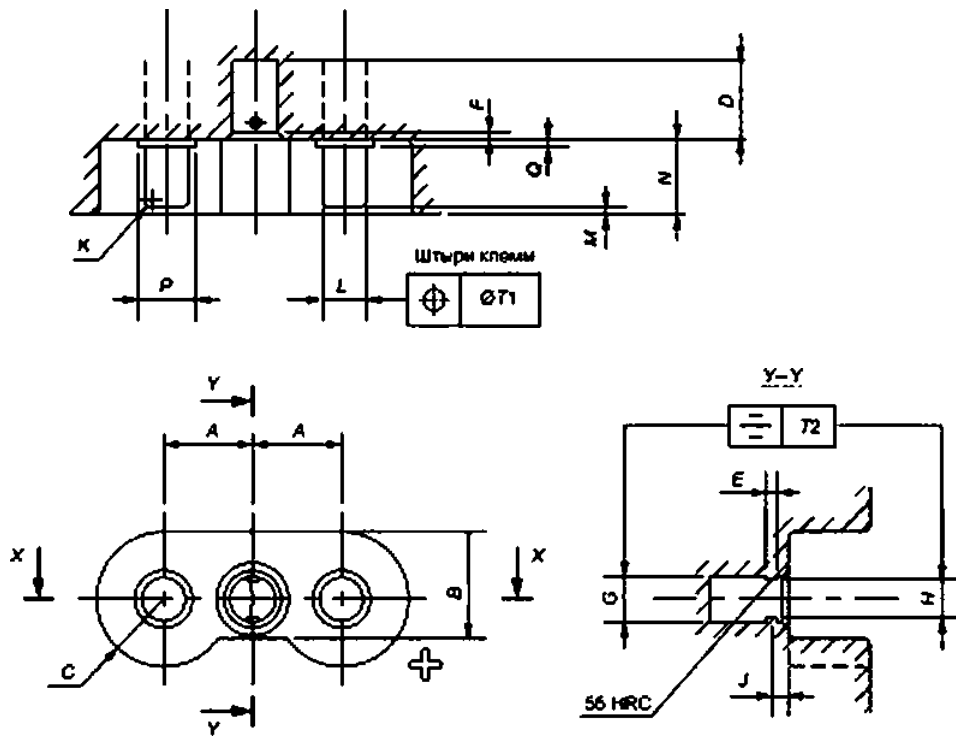
2—



МЭК 1309/04

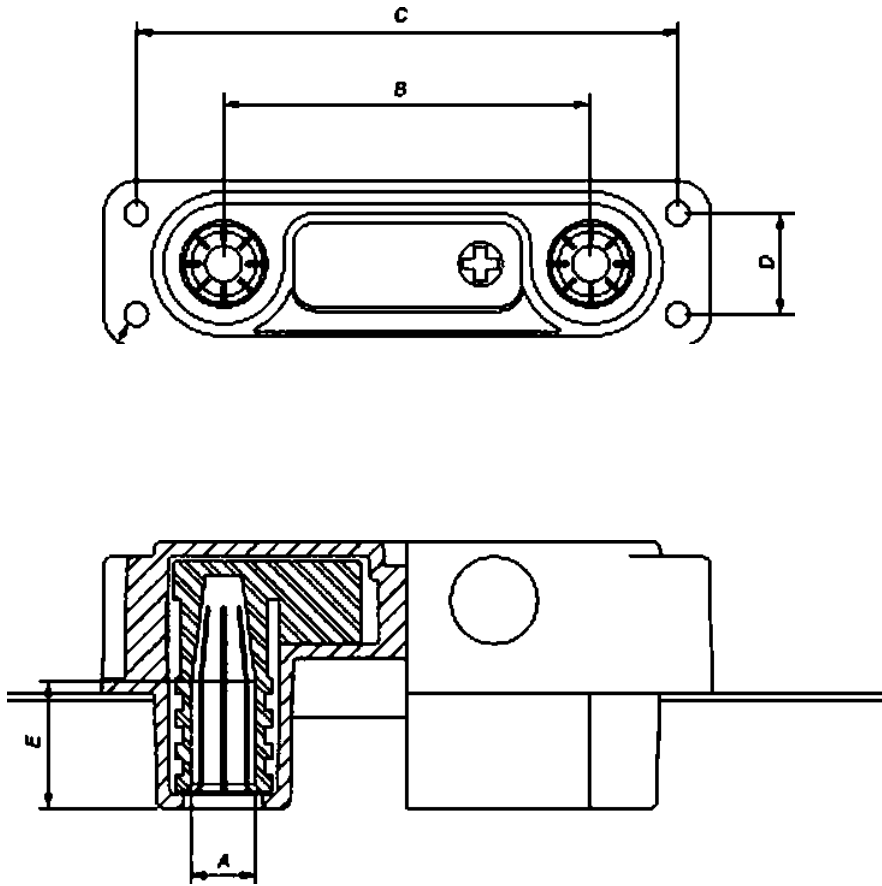
|          |              |                       |
|----------|--------------|-----------------------|
|          |              |                       |
|          | 5.6          | 0.221                 |
|          | 8.0          | 0.348                 |
|          | 6.3          | 0.25                  |
| <i>D</i> | 15.9         | 0.625                 |
|          | 69.8         | 2.75                  |
| <i>F</i> | 139.7        | 5.50                  |
| <i>G</i> | 55.5:™       | 2.185 :™ <sub>2</sub> |
|          | 0 11.0510.12 | 00.435 ±0.005         |
| <i>J</i> | 33.5         | 1.32                  |
|          | 25.4         | 1.00                  |
| <i>L</i> | 14.3         | 0.562                 |
|          | 118.0        | 4.65                  |
| <i>N</i> | 6.3          | 0.25                  |
|          | 38.1         | 1.500                 |
|          |              | 1.156-0.25 -1.00L     |
| <i>S</i> | R 18.3       | R 0.719               |
|          | R 6.3        | R 0.25                |

60952-2—2017



1 1 04

|          |               |                 |
|----------|---------------|-----------------|
|          |               |                 |
|          | 19,46         | 0,766           |
|          | 23,1 ± 0,13   | 0,914 ± 0,005   |
|          | R 14,7 ± 0,13 | R 0,578 ± 0,005 |
| <i>D</i> | 17,0          | 0,670           |
|          | 0,236 ± 0,05  | 0,0093 ± 0,002  |
| <i>F</i> | 1,3 { 45°)    | 0,050           |
| <i>G</i> | 0,9,9 ± 0,13  | 0,0391 ± 0,005  |
|          | 8,0 ± 0,05    | 0,307 ± 0,002   |
| <i>J</i> | 3,6 ± 0,13    | 0,141 ± 0,005   |
|          | R 3,2         | R 0,125         |
| <i>L</i> | 0,9,5 ± 0,13  | 0,0375 ± 0,005  |
|          | 1,57 ± 0,13   | 0,062 ± 0,005   |
| <i>N</i> | 16,5 ± 0,13   | 0,650 ± 0,005   |
|          | 18,36, 15,77  | 0,723, 0,620    |
|          | 1,7           | 0,067           |
|          | 0,13          | 0,005           |
| 72       | 0,25          | 0,010           |



1311/04

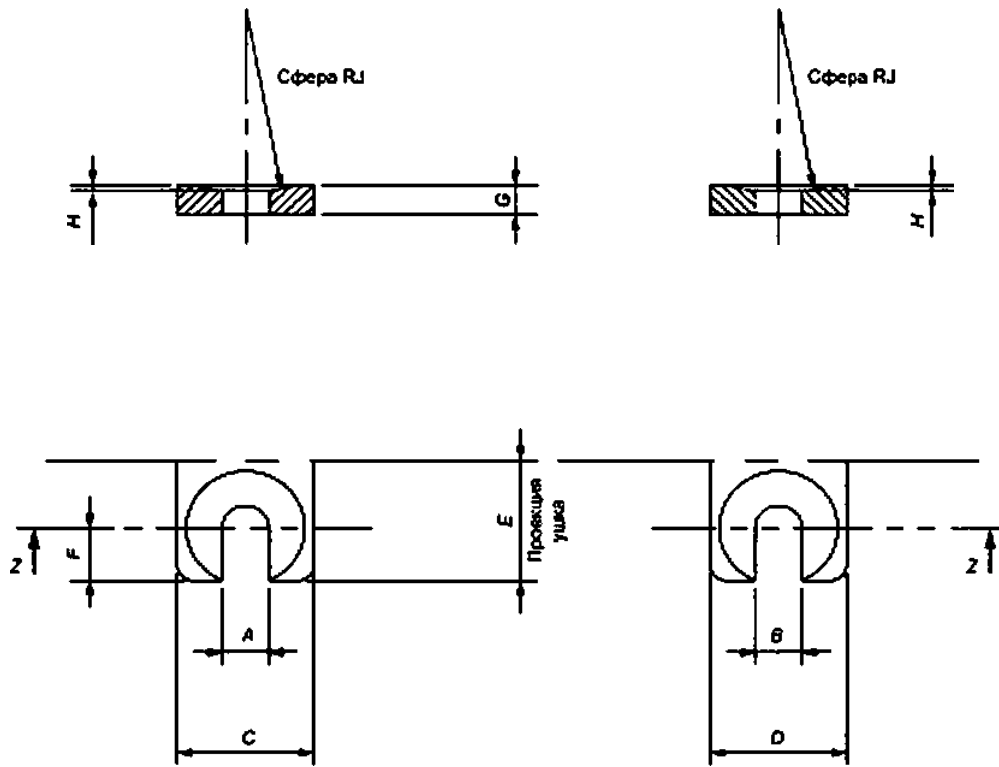
|          |               |                |
|----------|---------------|----------------|
|          |               |                |
|          | 0 14.0 ±0.035 | 0 0,551 ±0.001 |
|          | 80.0 ± 0,25   | 3.150 ±0.010   |
|          | 118.0 ±0.25   | 4.646 ±0.010   |
|          | 22,0 ±0,25    | 0.866 ±0.010   |
|          | 26.0          | 1.024          |
| <i>F</i> | 5—7           |                |

.5— R



60952-2—2017

2-2



1702/13

|          |             |               |
|----------|-------------|---------------|
|          |             |               |
|          | 9.53 ±0.13  | 0.375 ±0.005  |
|          | 11.10 ±0.13 | 0.437 ±0.005  |
|          | 27.26 ±0.13 | 1.093 ±0.005  |
| <i>D</i> | 29.36 ±0.13 | 1.156 ±0.005  |
|          | 23.8        | 0.937         |
| <i>F</i> | 11.10 ±0.25 | 0.437 ±0.010  |
| <i>G</i> | 6.35 ±0.13  | 0.250 ± 0.005 |
|          | 1.19 ±0.05  | 0.047 ±0.002  |
| <i>J</i> | 38.10       | 1,500         |

.6—

S

( )

.1

|                  |     |                       |
|------------------|-----|-----------------------|
|                  |     |                       |
| IEC 60952-1:2013 | 1DT | 60952-1—2017 « . 1. - |
| • IDT —          |     |                       |

60952-2—2017

621.355.2:006.354.  
621.355.8:006.354

29.220.20. 29.220.30. 49.060

27.20.23.110  
27.20.21.000

:

,

,

,

-

-

12—2017/125

..  
..  
..

02.11.2017. 17.11.2017. 60\*64/.  
. 4.18. . 3.76. 23 . 2316

« », 12300! .. 4.  
www.gosinfo.ru info@gosinfo.ru