

**12661-67**



**ГОСУДАРСТВЕННЫЙ СТАНДАРТ СССР**

	Capacitors and resistors. Mounting lengths and diameters of wire leads	<b>12661-67</b>
		<b>20</b>

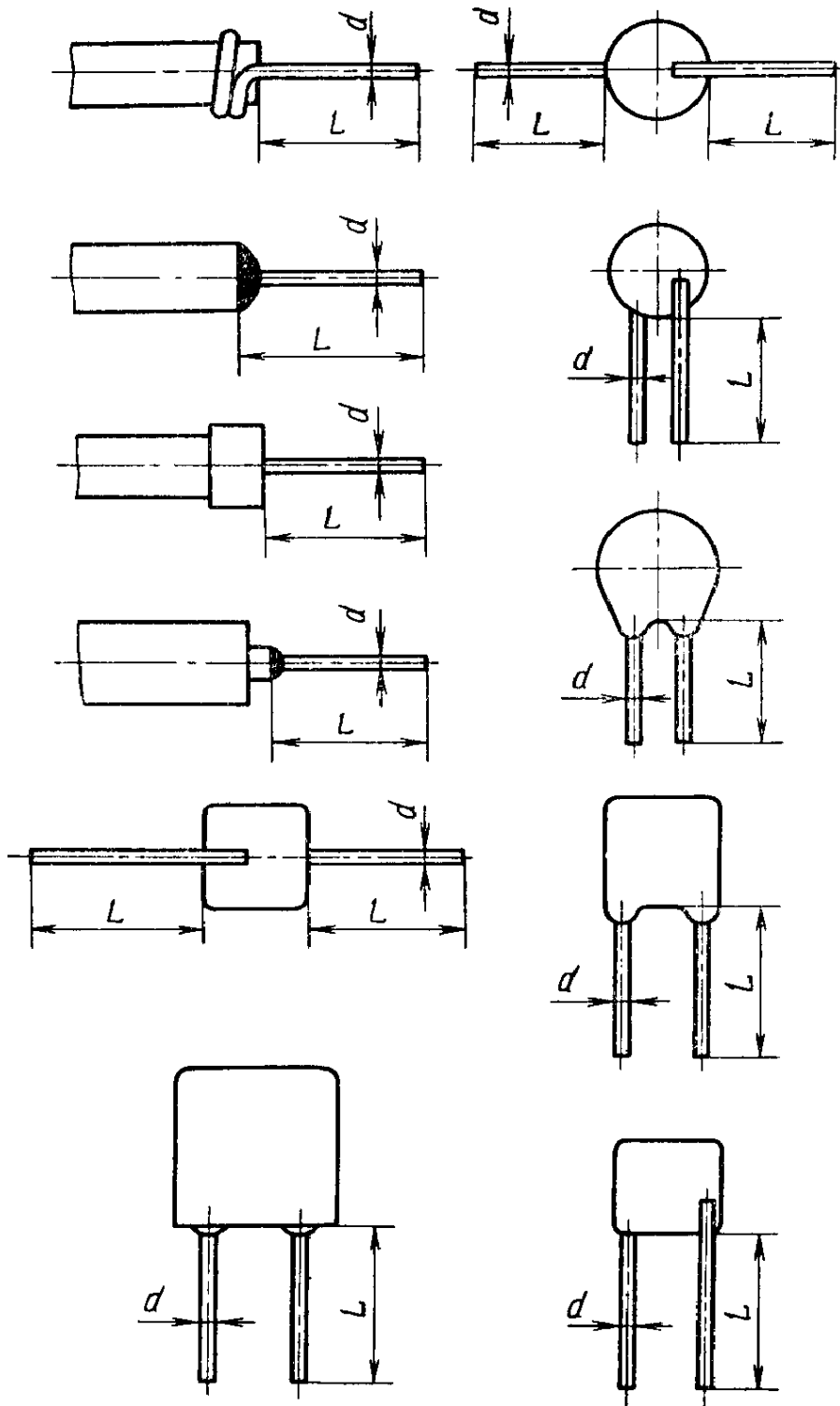
1. -
- ( , ), -
2. -
3. -
4. L, -
5. -

<i>L</i>		<i>d</i>	
4	*+-1	0,4; 0,5; 0,6; 0,7; 0,8; 0,9; 1,0; 1,2; (1,3); 1,5; 2,0	±0,1
6	+2		
10			
16	+4		
20	+5		
25			
32			
40			

21/11 1967 .

1/VII 1967 .

12661—67



6.

Ra10

6636—60

12661—67

$L > \frac{D}{-} + 12, \quad D -$

$L$

-

---

. 28/11 1967 . . . 24/III 1967 . 0,25 . . . ,<sup>4</sup> . 12000

---

. « . . . » . . . , . 6. . 455